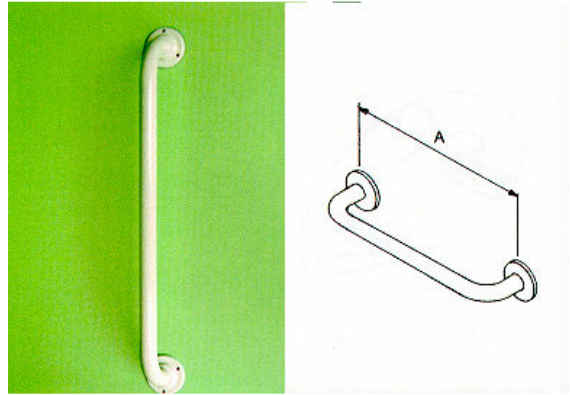


ASSISTANCE RAILS AND SUPPORTS

Straight wall grab rail, stainless steel, with either a white** polyester powder coated finish or polished bright. Substantial rosettes drilled to accept a 12g round head wood screw.

** 600mm also stocked in black.

Can also be supplied colour coated to match Hewi door furniture, to order.

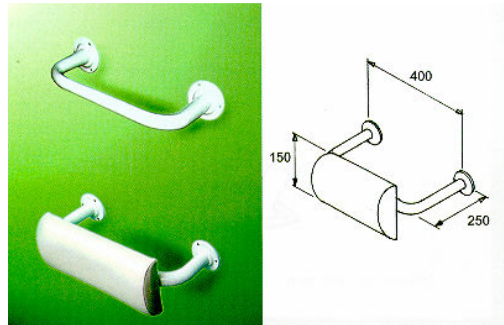


Size: Length "A" x dia - Rosette dia.	Finish:	Code:
300x35mm, rosette 90mm dia.	Polished stainless steel	GB1101,PS
450x35mm, rosette 90mm dia.	Polished stainless steel	GB1102,PS
600x35mm, rosette 90mm dia.	Polished stainless steel	GB1104,PS
900x35mm, rosette 90mm dia.	Polished stainless steel	GB1107,PS
300x35mm, rosette 90mm dia.	White colour coated stainless steel	GB1101,WE
450x35mm, rosette 90mm dia.	White colour coated stainless steel	GB1102,WE
600x35mm, rosette 90mm dia.	White colour coated stainless steel	GB1104,WE
900x35mm, rosette 90mm dia.	White colour coated stainless steel	GB1107,WE
600x35mm, rosette 90mm dia.	Black colour coated stainless steel	GB1104,BK
300x25mm,	White (On mild steel)	GB1701.WE

Backrest support rail, stainless steel, with either a white polyester powder coated finish or polished bright. Substantial rosettes drilled to accept a 12g round head wood screw.

A separate white vinyl cushion can be used with either finish rail.

Can also be supplied colour coated to match Hewi door furniture, to order.

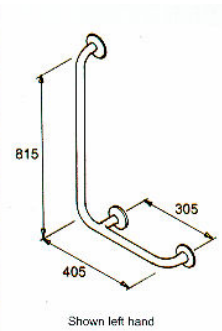
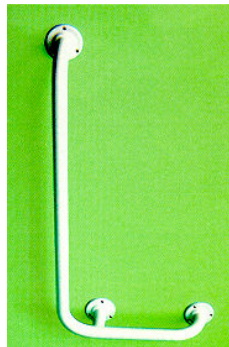


Size:	Finish:	Code:
400x250mm, rosette 90mm dia.	Polished stainless steel	GB1200,PS
400x250mm, rosette 90mm dia.	White colour coated stainless steel	GB1200,WE
Cushion 355 W x 150 H x 60 D (supplied complete with brackets)	White vinyl	GB1210,WE

ASSISTANCE RAILS AND SUPPORTS

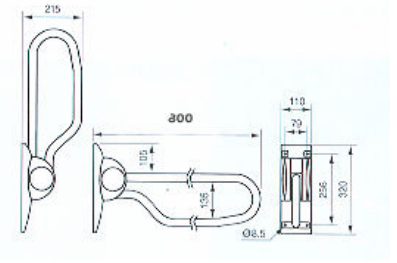
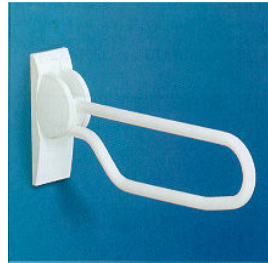
"L" shaped wall grab rail, stainless steel, available in either a white polyester powder coated finish or polished bright. Substantial rosettes drilled to accept a 12g round head wood screw.

Can also be supplied colour coated to match Hewi door furniture, to order.

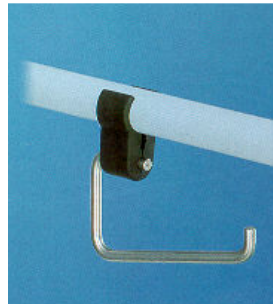


Size:	Finish:	Code:
815x405x35mm, rose 90mm dia. <i>Handed as picture</i>	White colour coated stainless steel	GB1310,WE
815x405x35mm, rose 90mm dia. <i>Opposite hand to picture</i>	White colour coated stainless steel	GB1320,WE
815x405x35mm, rose 90mm dia. <i>Handed as picture</i>	Polished stainless steel	GB1310,PS
815x405x35mm, rose 90mm dia. <i>Opposite hand to picture</i>	Polished stainless steel	GB1320,PS

Lift up support rail, glass filled wall plate with steel or stainless steel arm. the arm pivots upwards, and lock automatically in the upright position. All fixings are concealed. Max vertical load 150kg. Available all white, black or white wall plate with polished stainless steel arm.



Toilet roll attachment for use on lift up support rail. Stainless steel with black nylon clip fixing.



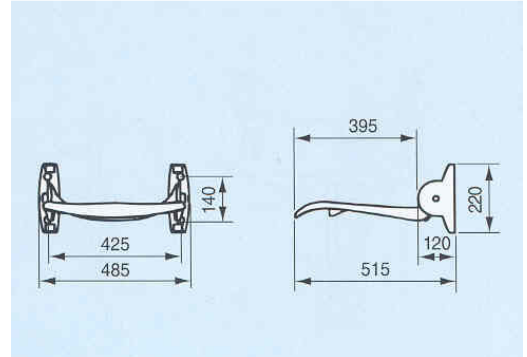
Floor standing console for lift up support rail. for use where wall construction will not allow fixing of the support directly to the wall. Square section tubular steel white polyester colour coated.



Size:	Finish:	Code:
800mm projection	White / polished stainless steel	GB1410,PS
800mm projection	White	GB1410,WE
800mm projection	Black	GB1410,BK
Toilet roll holder attachment	Stainless steel/black	GB1420,BK
Floor standing console	White polyester colour coated	GB1430,WE

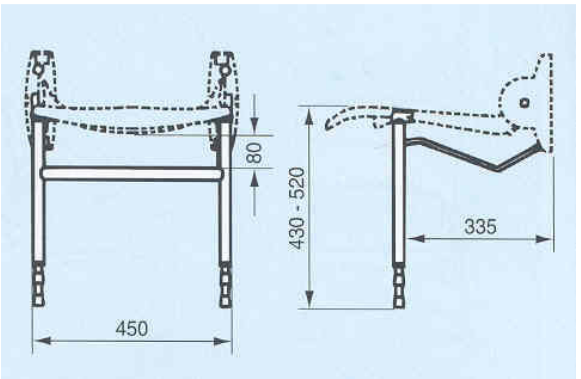
ASSISTANCE RAILS AND SUPPORTS

Folding seat for use in showers, changing rooms or where occasional seating is required, that can be folded away, but not removed. Fabricated from glass fibre reinforced nylon. Available black or white



Size:	Finish:	Code:
Folding seat	Black	GB1510,BK
Folding seat	White	GB1510,WE

Support leg for use with above folding seats, in situations where a suitably secure fixing is not available, or where additional load capacity is required. Tubular steel construction, power coated finish in black or white. Height adjustable between 430-520mm.



Size:	Finish:	Code:
Support leg for folding seat	Black	GB1512,BK
Support leg for folding seat	White	GB1512,WE

Baby change station, easy to fold away, with pneumatic action. Sturdy & easy to clean polyethylene surface finish, with load capacity of 110kg. Concealed fixings, with no "pinch" points. Includes safety strap, hooks for napkin bags, towel/liner dispenser and multi lingual instruction. Size 570mm high x 920mm wide, closed projection 100mm, open projection 520mm.



Size:	Finish:	Code:
Folding baby changing station, with safety strap	Light grey	GB1550,GE