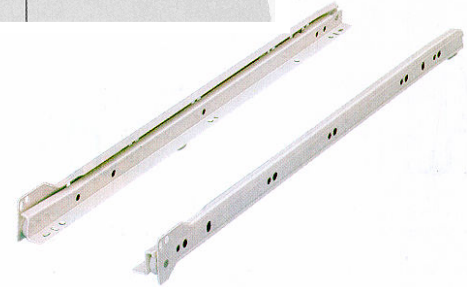
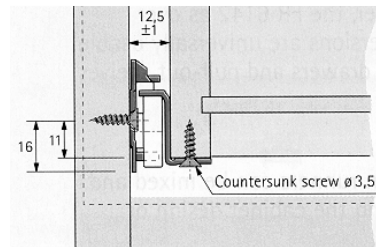


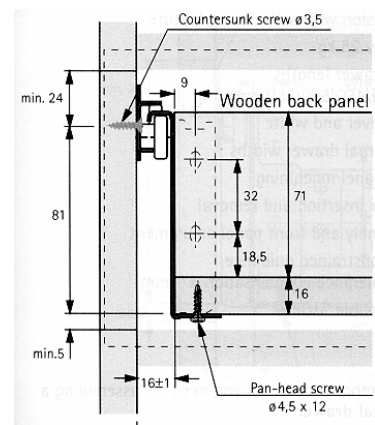
DRAWER RUNNERS AND CABINET FITTINGS

Pressed steel drawer runners, with nylon roller bearings, and self closing feature. Runners have a stop to prevent over extension, draws may be lifted over this for removal. Runners fixed into drawer base, carcass side. Cream epoxy coated. Installation clearance 12.5mm either side of drawer. Load capacity 25kg per pair.

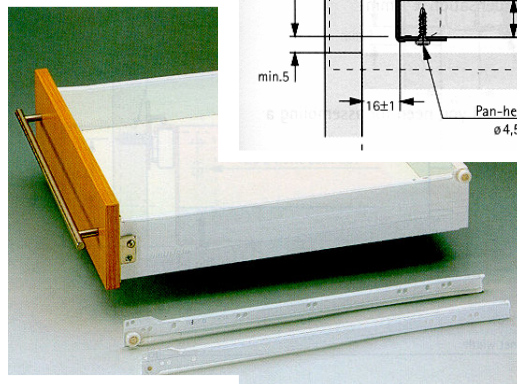


Runner length	Max. extension	Code:
300mm	231mm	CB2112,WE
350mm	281mm	CB2114,WE
400mm	331mm	CB2116,WE
450mm	371mm	CB2118,WE
500mm	414mm	CB2120,WE

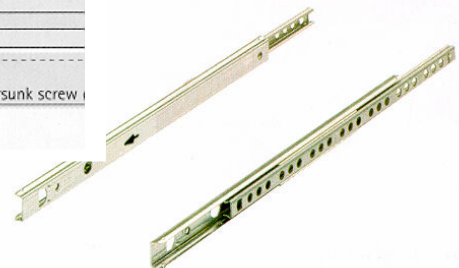
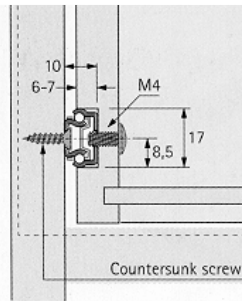
“MultiTech” drawer side/runner sets, a very simple method constructing drawer units. The white epoxy coated runners with integral nylon roller bearings form the drawer sides, add a board base, back and front to complete. Runners 81mm deep, and 450mm long, Max extension 371mm. Load capacity 25kg. per pair.



Code: **CB2218,WE**



Light weight ball bearing drawer for small cabinet work. End stops prevent over extension. Precision ball bearings housed in noise absorbing plastic cage, within zinc plated steel slides. Two lengths available, load capacity 10kg.

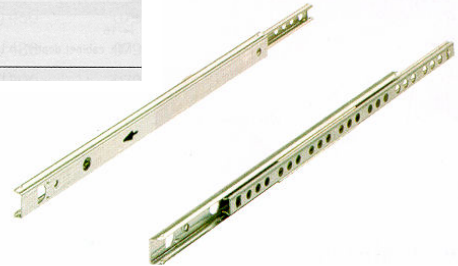
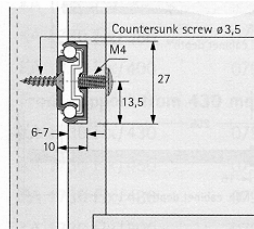


Runner length	Drawer size:	Code:
217mm	220-355mm	CB2414,BZ
250mm	250-410mm	CB2416,BZ

DRAWER RUNNERS AND CABINET FITTINGS

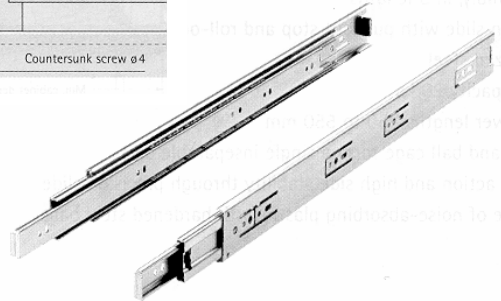
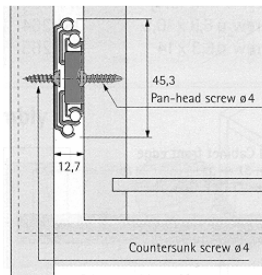
Light weight ball bearing drawer for small cabinet work. End stops prevent over extension. Precision ball bearings housed in noise absorbing plastic cage, within zinc plated steel slides. Two lengths available, load capacity 12kg.

Runner length	Drawer size:	Code:
222mm	230-350mm	CB2516,BZ
342mm	350-550mm	CB2516,BZ



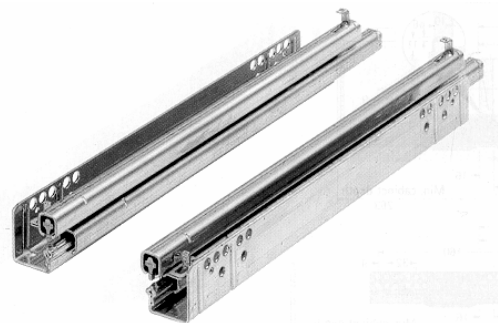
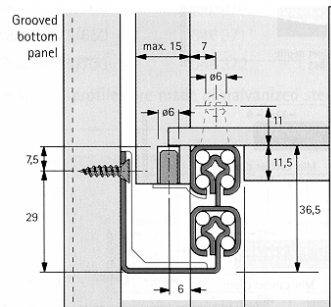
Heavy duty, full extension, ball bearing drawer runner. End stops prevent over extension, drawer may be lifted out by releasing trigger catch. Cushion and catch grips drawer as it closes. Installation clearance 12.7mm either side, load capacity 45kg. Zinc chromated plated finish on steel.

Runner length	Drawer size:	Code:
254mm	250mm	CB2710,BZ
304mm	300mm	CB2712,BZ
354mm	350mm	CB2714,BZ
404mm	400mm	CB2716,BZ
454mm	450mm	CB2718,BZ
504mm	500mm	CB2720,BZ
554mm	550mm	CB2722,BZ
604mm	600mm	CB2724,BZ



“Quadro” extremely smooth ball bearing operation, high vertical and lateral stability, full extension. Drop on drawer fixing. 40kg load capacity. Runners fitted underneath drawer box.

Runner length	Drawer size:	Code:
360mm	350-500mm	CB2920,BZ
480mm	470-700mm	CB2928,BZ



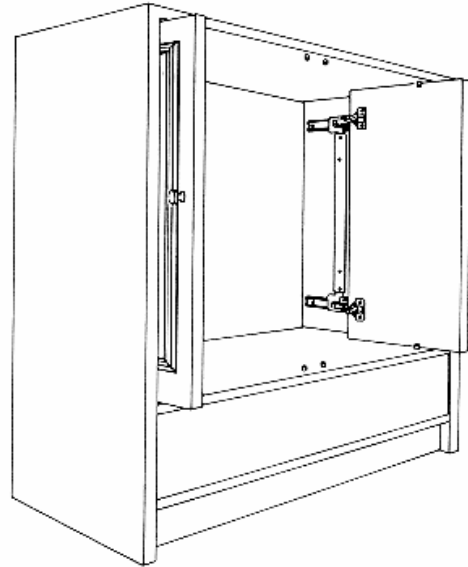
DRAWER RUNNERS AND CABINET FITTINGS

A system of combined sliding runner and hinge, designed for situations where a hinged cupboard door is required to slide back within the cabinet. For use with doors/flaps fitted at the side or top of cabinet.

Each kit includes sufficient fittings for one left hand and one right hand door.

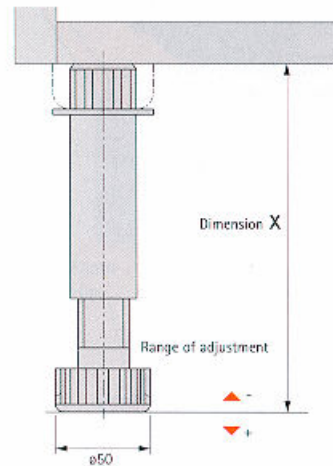
Minimum cabinet depth	480mm
Runner length	460mm
Travel on runner	360mm
Maximum door thickness	22.5mm

Code: CB3019,XX



Cabinet support legs, supplied in a set of four legs complete with screw fixing cabinet attachment sockets and panel two front panel support clips. Leg (including socket) 145mm long, with 35mm possible extension. The tubular body of the leg may be cut if required, maximum reduction 75mm. Black high impact plastic.

Code: CB3100,BK



Cabinet suspension brackets. Supplied in pairs, complete with steel wall plates. Provide both vertical and lateral adjustment. White plastic, with zinc plated steel suspension arm and wall plate.

Code: CB3150,WE

