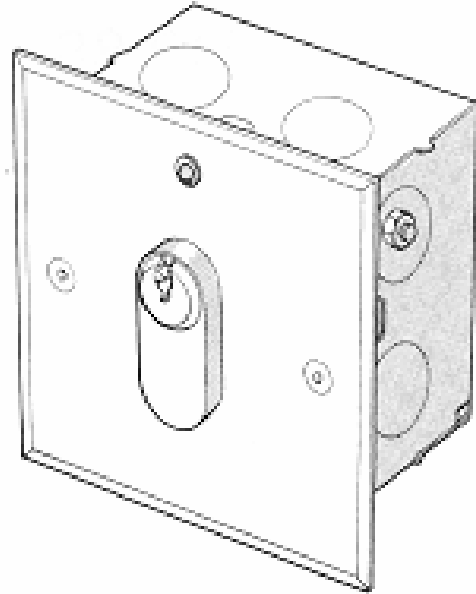


ELECTRICAL KEY SWITCH

Flush mounting electrical key switch, designed to accept Euro profile or UK oval single cylinders (cylinder supplied separately).

Satin finished stainless steel or polished brass faceplate, pierced to suit cylinder, and secured with tamper resistant Allen screws. The mounting is into a standard single gang 40mm deep back box which is supplied. A LED indicating lamp is incorporated into the face plate, above the cylinder position, to operate at 12v (The wiring of the LED is at the discretion of the fitter). Current rating for micro switch is 5 amp.



The standard unit is supplied with a single pole, 2 way micro switch, to give momentary contact on use of the key. As alternatives, a double pole momentary switch, or a single pole continuous contact switch unit can be supplied.

	Description	Finish	Code Number
A	Single pole, two way MOMENTARY switching	SSS	ME9340,SS
B	Single Pole, two way MOMENTARY switching	Pol Brass	ME9340,PB
C	Double Pole, two way MOMENTARY switching	SSS	ME9342,SS
D	Double Pole, two way MOMENTARY switching	Pol Brass	ME9342,PB
E	Single pole, 1 way CONTINUOUS switching	SSS	ME9344,SS
F	Single pole, 1 way CONTINUOUS switching	Pol Brass	ME9344,PB

We are able to offer a wide variety of cylinders for use with these key switches, either as standard differ, keyed alike, or as part of master key systems. Please ask for additional information.