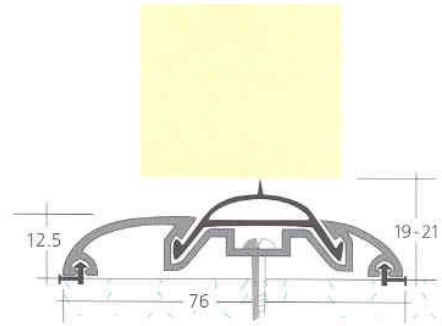


SPILLER ARCHITECTURAL IRONMONGERY

SEALS

Wintun RX100 aluminium threshold, with arched EPDM rubber top seal and two base seals.

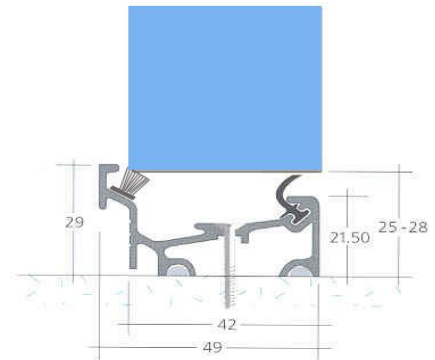
- ✓ Wheel chair friendly, low profile.
- ✓ Suitable for inward or outward opening hinged doors.
- ✓ In lengths to suit single or double doors.
- ✓ Choice of silver or gold anodised finish.
- ✓ Concealed screw fixings.



Description:	Length	Finish	Code:
Wintun RX100 threshold weather seal	838mm	Aluminium	IB1008,SA
Wintun RX100 threshold weather seal	915mm	Aluminium	IB1009,SA
Wintun RX100 threshold weather seal	1000mm	Gold anodised	IB1010,GA
Wintun RX100 threshold weather seal	1000mm	Aluminium	IB1010,SA
Wintun RX100 threshold weather seal	1219mm	Aluminium	IB1012,SA
Wintun RX100 threshold weather seal	1829mm	Aluminium	IB1018,SA

Wintun "Traditional" threshold, Macclesfield style channel with drain holes to outer side, compression brush seal and EPDM rubber wiping seal.

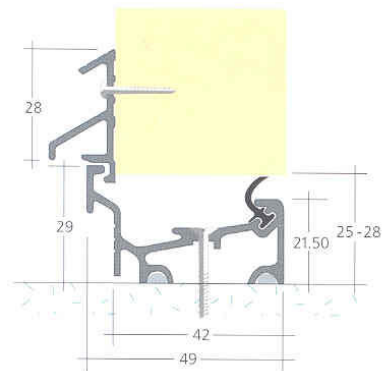
- ✓ Suitable for inward opening hinged doors.
- ✓ In lengths to suit single or double doors.
- ✓ Choice of silver or gold anodised finish.



Description:	Length	Finish	Code:
Wintun Traditional threshold weather seal	1000mm	Aluminium	IB1210,SA
Wintun Traditional threshold weather seal	1000mm	Gold anodised	IB1210,GA
Wintun Traditional threshold weather seal	1829mm	Aluminium	IB1218,SA
Wintun Traditional threshold weather seal	1829mm	Gold anodised	IB1218,GA

Wintun "Double Seal" similar to the traditional threshold, but with an additional weather board section for fitting to the face of the door.

- ✓ Suitable for "Severe" exposure situations
- ✓ Suitable for inward opening hinged doors.
- ✓ In lengths to suit single or double doors.
- ✓ Choice of silver or gold anodised finish.



Description:	Length	Finish	Code:
Wintun Double seal threshold	1000mm	Aluminium	IB1410,SA
Wintun Double seal threshold	1000mm	Gold anodised	IB1410,GA
Wintun Double seal threshold	1829mm	Aluminium	IB1418,SA

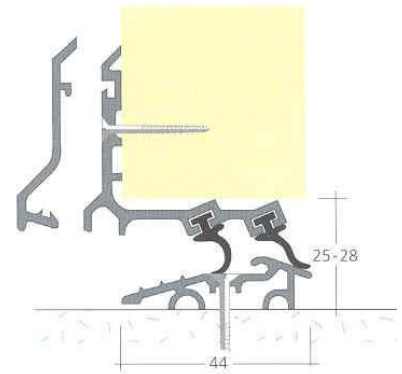
SPILLER ARCHITECTURAL IRONMONGERY, OXFORD ROAD, YEOVIL, BA21 5HR. 01935 432929

SPILLER ARCHITECTURAL IRONMONGERY

SEALS

Wintun Sealbar Low Sill, a seal combining a heavy duty aluminium threshold, with a weather board section with twin EPDM rubber wiping blades.

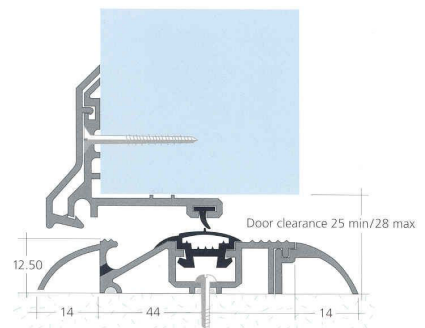
- ✓ Wheel chair friendly, low profile, 12.5mm.
- ✓ Suitable for inward or outward opening hinged doors.
- ✓ In lengths to suit single or double doors.
- ✓ Choice of silver or gold anodised and colour finish with colour clips. (please ask for details of colour finishes to order)



Description:	Length	Finish	Code:
Wintun Sealbar Low sill threshold	1000mm	Aluminium	IB1610,SA
Wintun Sealbar Low sill threshold	1829mm	Aluminium	IB1618,SA

Wintun DM2000 threshold weather bar and weather board trim. Arched EPDM top seal to threshold and wiping blade to weather board.

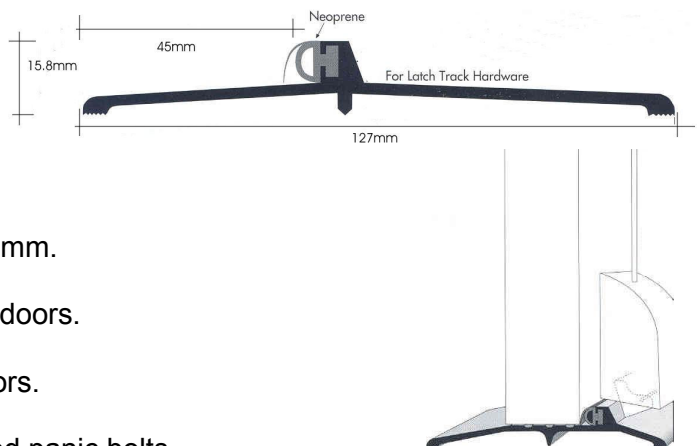
- ✓ Wheel chair friendly, low profile, 12.5mm.
- ✓ Suitable for inward or outward opening hinged doors.
- ✓ In lengths to suit single or double doors.
- ✓ Choice of silver or gold anodised finish.
- ✓ Detachable inner ramp to allow carpet or floor tiles to be run tight to threshold.



Description:	Length	Finish	Code:
Wintun DM2000 threshold weather bar	1000mm	Aluminium	IB1810,SA
Wintun DM2000 threshold weather bar	1000mm	Gold anodised	IB1810,GA
Wintun DM2000 threshold weather bar	1829mm	Aluminium	IB1818,SA
Wintun DM2000 threshold weather bar	1829mm	Gold anodised	IB1818,GA

“Latchtrack” threshold, a heavy duty aluminium ramp threshold for outward opening doors, ideally suited for applications where panic bolts with Pullman bottom latched as used (See panic bolts XB1721,SS and XB1821,SE)

- ✓ Wheel chair friendly, low profile, 15.8mm.
- ✓ Suitable for outward opening hinged doors.
- ✓ In lengths to suit single or double doors.
- ✓ Designed for use with Pullman latched panic bolts.



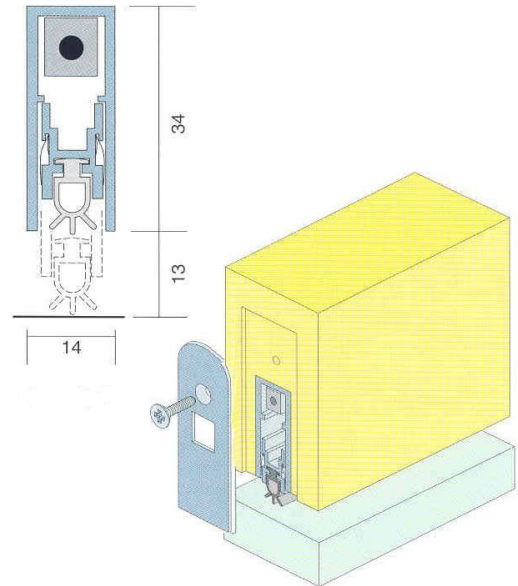
Description:	Length	Finish	Code:
Wintun DM2000 threshold weather bar	1000mm	Aluminium	IB1810,SA
Wintun DM2000 threshold weather bar	1000mm	Gold anodised	IB1810,GA

SPILLER ARCHITECTURAL IRONMONGERY, OXFORD ROAD, YEOVIL, BA21 5HR. 01935 432929

SEALS

Automatic door base seal, routed into the bottom edge of the door, the sprung carriage holding the silicon rubber seal moves up and down as the door is opened and closed, activated by a plunger at the hinge style acting on the door frame.

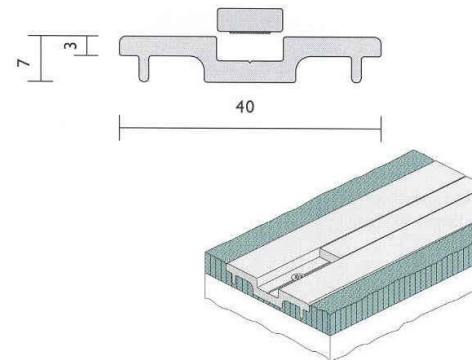
- ✓ Fully concealed, for situation where appearance of vandalism avoidance are important.
- ✓ Available in a choice of lengths, site trimable to suit different door widths.
- ✓ Silicon rubber seal for good seal and long life.
- ✓ Effective for draught, sound, light, smoke and insects.
- ✓ Use with threshold contact plate IB2410,SA and IB2422,SA when used with carpet floors.



Description:	Length	Door widths	Code:
Automatic door base seal, aluminium	600mm	381-600mm	IB2206,SA
Automatic door base seal, aluminium	820mm	601-820mm	IB2208,SA
Automatic door base seal, aluminium	915mm	821-915mm	IB2209,SA
Automatic door base seal, aluminium	1070mm	916-1070mm	IB2210,SA
Automatic door base seal, aluminium	1220mm	1071-1220mm	IB2212,SA

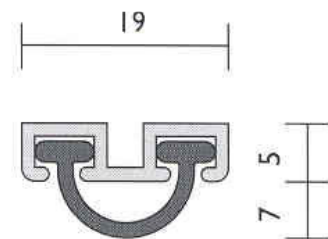
Contact strip, for use with automatic door base seals IB22, when used in carpeted areas. Silver anodised aluminium.

- ✓ Concealed fixing.
- ✓ In lengths to suit single or double doors.



Description:	Length	Finish	Code:
Threshold contact strip	1000mm	Silver anodised	IB2410,SA
Threshold contact strip	2250mm	Silver anodised	IB2422,SA

Door base compression seal, for fitting to the underside edge of hinged doors to provide sealing with minimum obstruction across floor. Silver anodised aluminium carrier with EPDM rubber seal. Must be used with floor contact strip IB2710,SA.

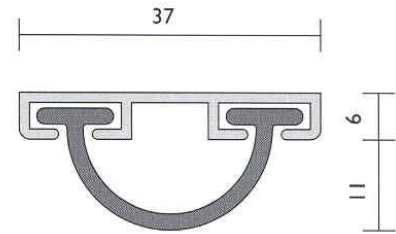


Description:	Length	Finish	Code:
Door base compression seal	1000mm	Silver anodised	IB2500,SA

SPILLER ARCHITECTURAL IRONMONGERY

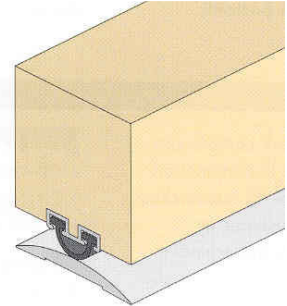
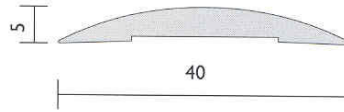
SEALS

Door base compression seal, for fitting to the underside edge of hinged doors to provide sealing with minimum obstruction across floor. Silver anodised aluminium carrier with EPDM rubber seal.
Must be used with floor contact strip IB2710,SA.



<i>Description:</i>	<i>Length</i>	<i>Finish</i>	<i>Code:</i>
Door base compression seal	1000mm	Silver anodised	IB2510,SA

Low profile threshold contact strip, for use with IB22, automatic and IB25, door base compression seals.
Silver anodised aluminium, drilled for screws fixings.



<i>Description:</i>	<i>Length</i>	<i>Finish</i>	<i>Code:</i>
Threshold contact strip	1000mm	Silver anodised	IB2710,SA