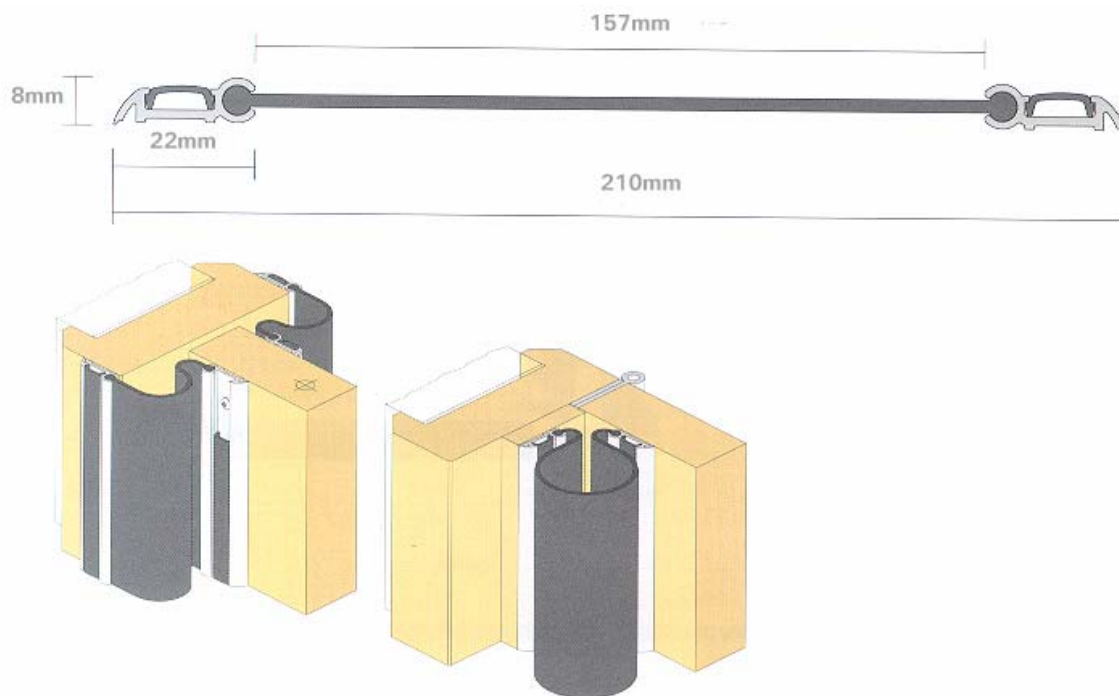


SEALS



FINGER GUARDS

To prevent the risk of injury, particularly to young children, caused by the trapping of fingers or clothing between the hinge style of a door and the frame. May be used on single swing or double swing doors.

The EPDM safety membrane is secured to the face of the door and the frame using the extruded aluminium section, the fixings then being concealed under a black cover strip.

Stock finish is silver anodised aluminium, with black rubber membrane, Bronze anodised aluminium carrier available to order.

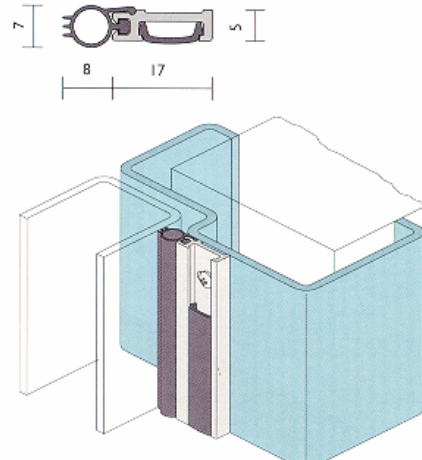
Description:	Size	Finish	Order Code:
Finger guard hinge protector	2250mm	SAA/Black	IB3822,SA

SEALS

Acoustic sealing components for use in single timber door sets. Typical noise reduction achieved by using the combination of perimeter and threshold seals detailed here is 31dB.

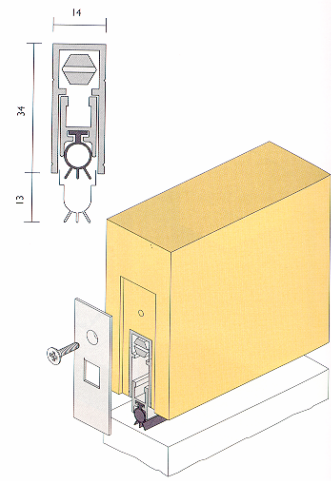
Door perimeter seals, comprising a surface fitted aluminium carrier supporting a silicon rubber, compression bulb seal. The carrier strip is screw fixed to the stops at the head and jambs. All screw fixings are within adjusting slots, and concealed beneath a charcoal grey cover strip. The aluminium extrusion is available silver or bronze anodised.

Size:	Finish	Code:
1000mm	Silver	IB4010,SA
2250mm	Silver	IB4022,SA
1000mm	Bronze	IB4010,BA
2250mm	Bronze	IB4022,BA



Automatic door base seals. An extruded aluminium inverted channel, housing and spring loaded carrier with silicon rubber compression seal. The carrier section is lowered when the door closes against the jamb, and lifts to prevent drag as the door is opened. Supplied in a variety of standard lengths that can be site cut to suit door width.

Size:	Code:
600-381mm	IB2206,SA
820-601mm	IB2208,SA
915-821mm	IB2209,SA
1070-916mm	IB2210,SA
1200-1071mm	IB2212,SA



Threshold contact section. For improved sealing when using the automatic door base seals in situations having carpeted floors.

An extruded silver anodised aluminium section for screw fixing across the threshold, either with through carpet or used to secure a joint in the flooring. A secondary self adhesive section is then inserted to conceal fixings.

Size:	Code:
1000mm	IB2410,SA

