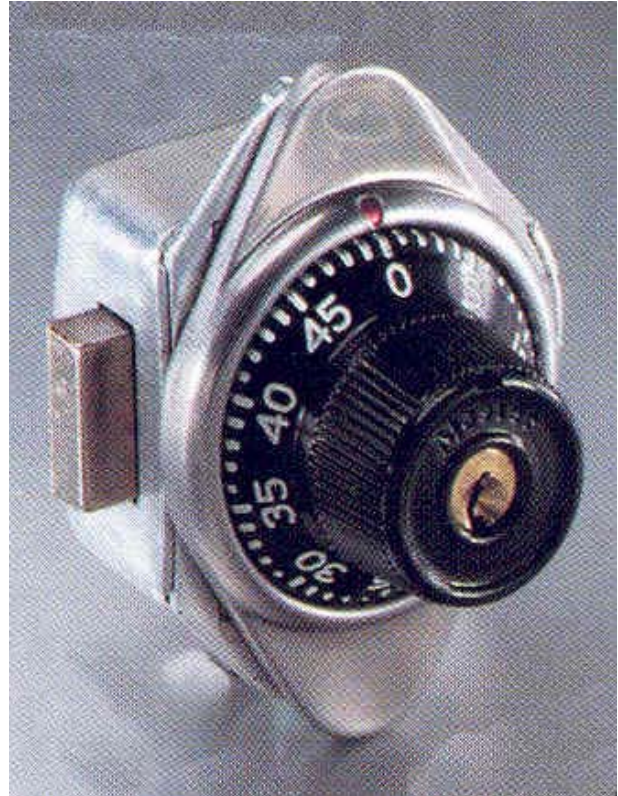


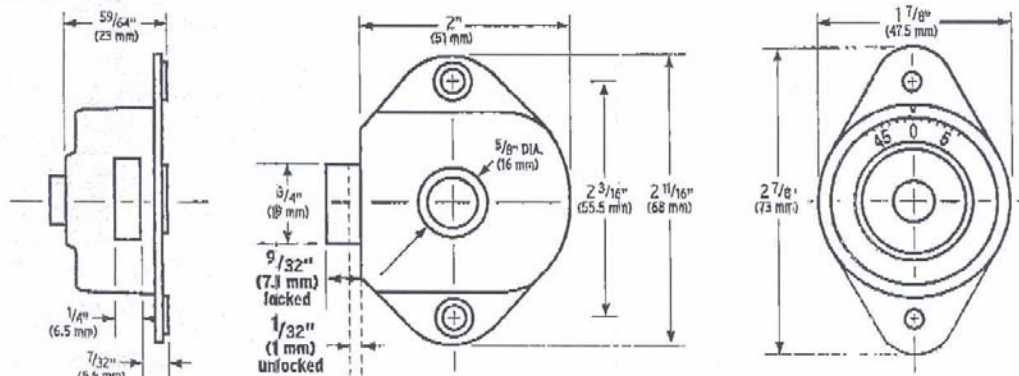
Mechanical digital locker lock, with rotary dial combination, and key override facility. Plated finish pressed steel body and face plate, square section deadbolt for security.

- ✓ 3 digit combination
- ✓ Turn dial to relock door
- ✓ Key override allows supervisor access.
- ✓ Combination easily changed for new users.
- ✓ Concealed fixings



The standard unit is designed for fitting to fabricated steel lockers 1.1-3.2mm thick, but extensions sets available for use on thicker doors.

SPECIFICATIONS



1670 shown. Required door thickness 0.045 - 0.125 in. (1.1 mm - 3.2 mm)