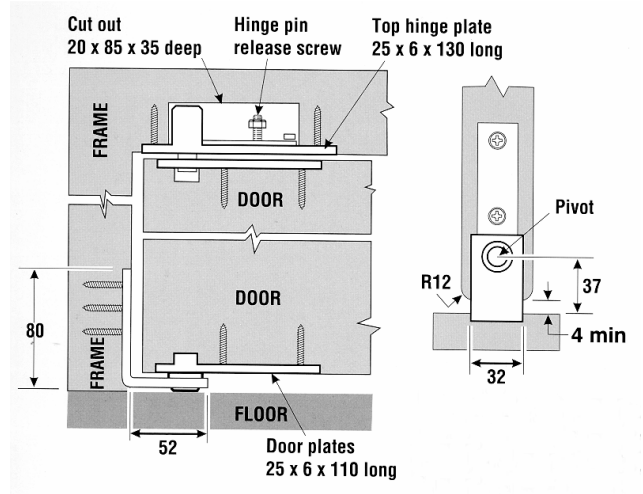


DOUBLE ACTION TOILET DOOR PIVOT AND RELEASE

Heavy duty, stainless steel, double action door pivot set, with releasable top pivot. Designed to allow a single leaf door to swing in both directions. Normally used on disabled toilet and bathroom doors to avoid the possibility of the occupant of the room falling against the inside of door and preventing the door from being opened.

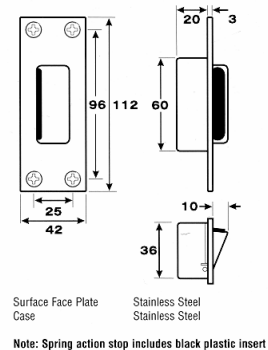
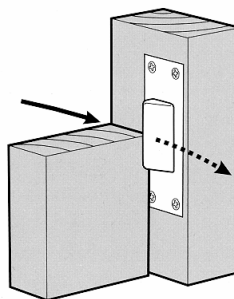
In wet areas the base of the door may be fitted above the floor level.
(Maximum door weight in this situation 30kg)



Fabricated from stainless steel, with cintered bronze self lubricating bearing surfaces. Will support a door up to 80kg when bottom pivot is fitted tight to floor.

Code: HB3002,SS

Emergency release door stopper, for use with the double action pivot set, above. The normally inward opening door is stopped by the cushioned, spring loaded section. When the door is required to open outwards the plunger is simply depressed by finger pressure to allow the door to pass.



Fabricated from satin stainless steel, with a black nylon cushion.

Code: HB3012,SS

We recommend the use of a brush privacy seal to the vertical edges of this style of door set. Black nylon brush pile in aluminium carrier.

Code: IB5621,SA 2100mm lengths (Not illustrated)